

ProStack® Pallets

D O U B L E L E G R A T C H E T

Patent Pending



“Since 70% of pallet damage is in the leg, why would we buy anything else other than a ProStack® double leg ratchet.”

- Telescoping Double legs provide twice the forklift damage protection of common single walled pallets
- Innovative Ratchet Fastening System: 2 - 3 times stronger than welded or snap construction
- Gas-Assist Molding Process combines a smooth finish with superior stiffness and outstanding impact properties
- Highly Durable, Easy to Clean and Hygienic
- Unique Lower Deck Design includes first ever pallet jack guide that prevents related damage
- Edge Rackable to 2,200 lbs.
- Fire Retardant - FM approved options available
- 4-way Entry for forklift and pallet jacks
- Ideal for Pharmaceutical, Medical, Industrial, Food and Beverage applications

40"x 48" ProStack® Plastic Pallet

Specifications	Dimensions				Load Ratings (lbs.)				Truckload Capacity	Ocean Containers
	Width	Length	Height	Weight	Static	Dynamic	Edge Racking	Supported Racking		
Model									53'	20'/40' HC
4048PS	40in.	48in.	6.3in.	47lbs.	30,000	5,000	2,200	5,000	QTY 510	QTY 140/340



We offer one of the world's largest selections of durable plastic pallets. ProStack® pallets are made from 100% recyclable FDA approved materials and are easily cleaned. Ideal for pharmaceuticals, general industry, food processing, beverage and warehousing. Several of our pallet styles are approved by Factory Mutual Research Corporation (FM) as meeting the rating requirements equivalent to wood pallets.

**Polymer
Solutions
International**
877-444-7225

Visit us at: www.prostackpallets.com

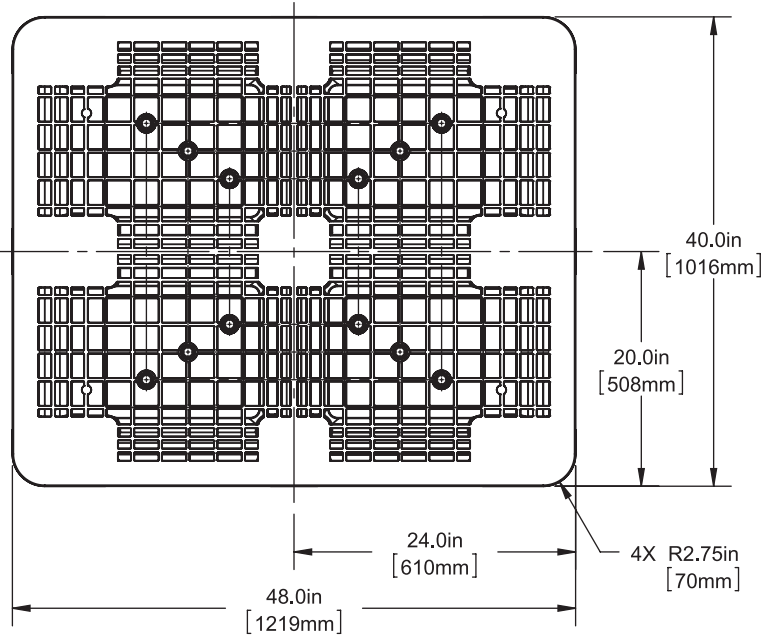
Email: info@prostack.com

Call: Toll Free (877) 444-7225 • (609) 714-3390 • FAX (610) 356-6327

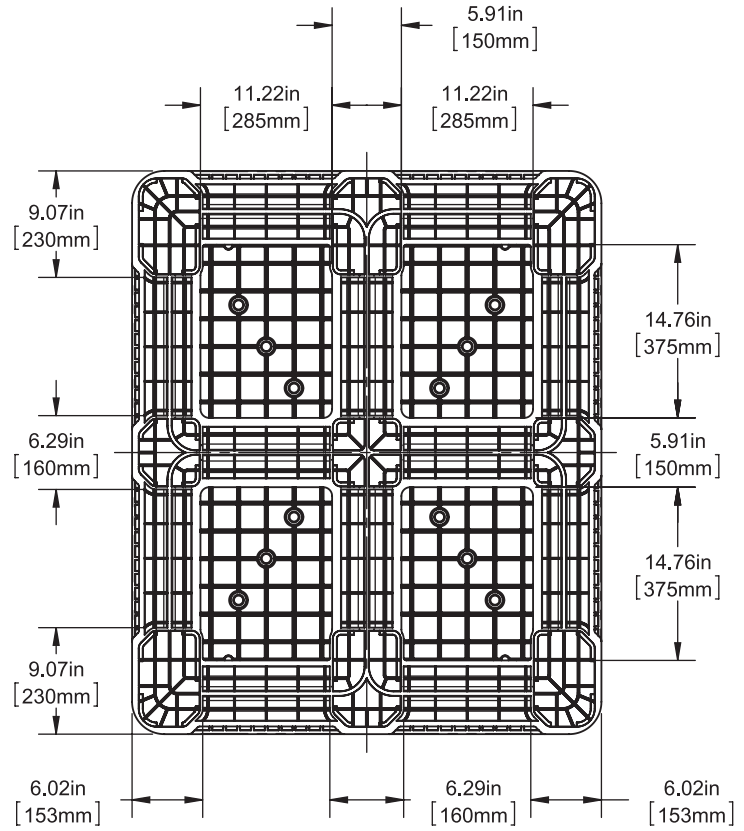
Write: 9 Roxbury Drive, Medford, New Jersey 08055, USA

ProStack® Pallets

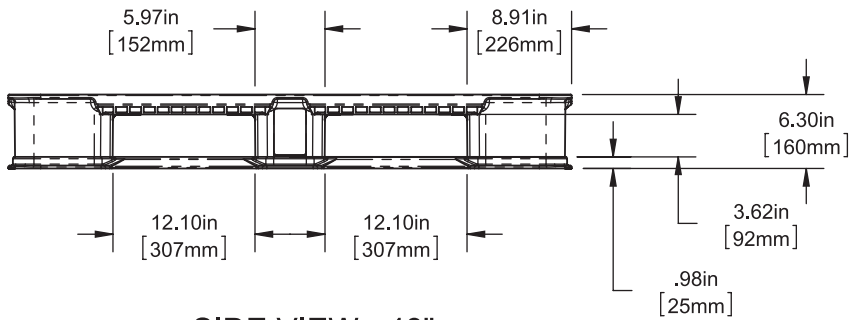
40" X 48" PALLET



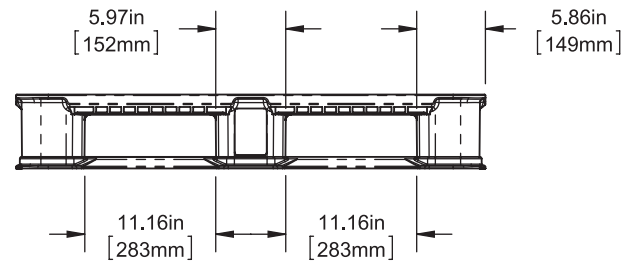
TOP VIEW



BOTTOM VIEW



SIDE VIEW - 48"



SIDE VIEW - 40"



Double Leg Ratchet

Patent Pending

Options:

- Intermittent perimeter lip
- Hot Stamped Logo/Identification
- Color
- Grommets